

# TUĞRA



**BMC**

TRACTOR  
TGR 1846 (4X2) STANDARD ROOF

### CABIN

|                |                             |
|----------------|-----------------------------|
| Type           | Standard roof - Sleeper Cab |
| Bunk           | 1                           |
| Cab suspension | Air                         |

### ENGINE

|                     |                                      |
|---------------------|--------------------------------------|
| Brand / Model       | FPT Cursor 11 ENT VI (Euro 6 Step-C) |
| Type                | Turbo Intercooler Diesel             |
| Number of Cylinders | 6                                    |
| Displacement        | 11.1 l                               |
| Maximum Power       | 460 PS (338 kW) @ 1900 rpm           |
| Maximum Torque      | 2150 Nm @ 1050-1550 rpm              |
| Diameter & Stroke   | 125 mm / 140 mm                      |

### TANKS

|                      |       |
|----------------------|-------|
| Fuel Tank Capacity   | 600 l |
| Adblue Tank Capacity | 80 l  |

### GEAR BOX

|                 |  |
|-----------------|--|
| Brand / Model   | ZF 12 TX 2210 T0 (Automated) [S]<br>ZF 16 S 2230 T0 (Manuel) [O] |
| Number of Gears | 12 forward, 2 reverse  |
| Gear ratio      | 12.9; 0.7 (Reverse: 12.03:1 / 9.29:1)                            |
| Clutch          | 430 mm, Single disk  |

### AXLES

|                        |              |
|------------------------|--------------|
| Front Axle             |              |
| Load Capacity          | 7000 kg      |
| Rear Axle              |              |
| Diff. Number of Speeds | Single speed |
| Gear Ratio             | 3.08:1       |
| Load Capacity          | 13000 kg     |

### STEERING SYSTEM

|      |           |
|------|-----------|
| Type | Hydraulic |
|------|-----------|

### BRAKE SYSTEM

|                   |  |
|-------------------|--|
| Brake System Type | Air operated dual circuit type disc brakes, EBS, ESC |
|-------------------|--|

|               |                       |
|---------------|-----------------------|
| Retarder Type | Intarder (600 kW) [O] |
| Engine Brake  | 372 kW                |

### SUSPENSION

|               |   |
|---------------|---|
| Front Axle    | Parabolic springs, telescopic shock absorbers |
| Rear Axle     | Air bellows, telescopic shock absorbers       |
| Anti-roll Bar | Rear and front axles                          |

### CHASSIS

|                 |                          |
|-----------------|--------------------------|
| Chassis Profile | High strength steel, 8mm |
|-----------------|--------------------------|

### TYRES

|               |                      |
|---------------|----------------------|
| Size / Number | 295 / 80 R 22.5, 6+1 |
|---------------|----------------------|

### RIMS

|      |             |
|------|-------------|
| Size | 8.25 x 22.5 |
|------|-------------|

### DIMENSIONS (mm)

|                          |                           |
|--------------------------|---------------------------|
| A: Wheelbase             | 3700                      |
| B: Overall Length        | 5965                      |
| C: Overall Width         | 2545                      |
| D: Overall Height        | 3400 (3958 sp)            |
| F: Useful Chassis Length | 3470 (3310 sp)            |
| I: Inner Height          | 1770 [Tunnel Height: 190] |
| O: Front Overhang        | 1440                      |
| G: Rear Overhang         | 825                       |
| H: Front Track           | 2105                      |
| J: Rear Track            | 1835                      |
| S: First Step Height     | 518                       |
| R: Inner Width           | 2155                      |
| K: Chassis Height        | 993                       |
| 5th Wheel Height:        | 1200                      |

### WEIGHTS (kg)

|                                  | Technical | Legal |
|----------------------------------|-----------|-------|
| Maximum weight loaded front axle | 7000      | 7000  |
| Maximum weight loaded rear axle  | 13000     | 11500 |
| Gross vehicle weight             | 19000     | 18000 |

### Kerb Weights (kg)

|          |       |
|----------|-------|
| 1. Axle: | 5402  |
| 2. Axle: | 2276  |
| Total:   | 7678* |

### PERFORMANCE

|                           |    |
|---------------------------|----|
| Top speed (limited) (kph) | 90 |
| Turning radius (m)        | 7  |

### ELECTRICAL SYSTEM

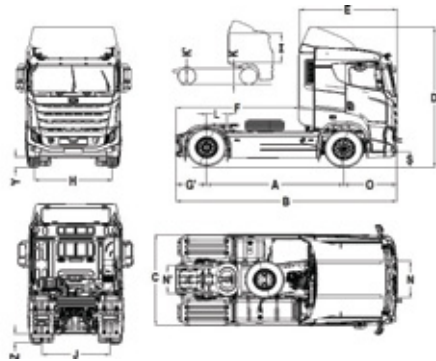
|               |                   |
|---------------|-------------------|
| Voltage       | 24 V              |
| Batteries     | 2 x 12 V / 180 Ah |
| Alternator    | 120 A             |
| Starter Motor | 24 V              |

### STANDARD FEATURES

|  |   |
|--|---|
| Air conditioner                                    |   |
| Radio/MP3/Bluetooth                                |   |
| Cruise control                                     |   |
| Speed limiter (For Intarder version)               |   |
| Electrically operated and heated side mirrors      |   |
| Adjustable steering column                         |   |
| Electrically operated sunroof                      |   |
| Electronic brake system (EBS)                      |   |
| Electronic stability control (ESC)                 |   |
| Active emergency brake system (AEBS)               |   |
| Immobilizer  |   |
| Single key with remote control and central locking |   |
| Differential lock                                  |   |
| Digital tachograph                                 |   |
| Electrically operated windows                      | Pad wear indicator  |
| Air suspended driver seat                          | Catwalk   |
| Adjustable driver seat armrest                     | Low Profile Bumper  |
| Seat headrest                                      | Lane departure warning system (LDWS)                                |
| Seatbelt sensor (Driver)                           | Steering wheel with multimedia, speed and menu control buttons [NA] |
| Driver and passenger sunvisor                      | Axle load indicator   |
| Dry type cab heater                                | Roof&Side Spoiler   |
| Hill-holder assist                                 |   |

### OPTIONAL FEATURES

|  |   |
|--|---|
| Navigation                                 | 5th wheel options: 1050, 1100, 1150, 1200 * |
| 7" multimedia display                      | 225 Ah battery **                           |
| ADR package                                | Side skirt                                  |
| Intarder (600 kW)                          | Aluminum rim                                |
| Refrigerator (55 lt)                       | Auxiliary fuel tank (300 lt)                |
| Adjustable passenger seat armrest          | Electric Cab Lift                           |
| Driver seat with air operated back support | Transmission PTO                            |
| Tire pressure monitoring system            |   |
| Heated driver seat                         |   |
| Fleet management system socket and module  |   |



\*1050 mm and 1100 mm 5th wheel height is available with 315/70 R 225 tyres

\*1150 mm and 1200 mm 5th wheel height is available with 295/80 R 225 tyres

\*\* Not available with auxiliary fuel tank option

[O]: Options

[S]: Standard

[NA]: Not Available For Manual Gearbox

\*For Kerb weight calculation, minimum equipment, no

driver, 20 liters of fuel, 5 liters of urea included. Kerb weight

may change depends on optional equipments.

All visuals, dimensions, characteristics and equipments are for information purposes only and they are not contractual. BMC reserves the right to modify them without prior warning. (October 2018)

### BMC OTOMOTİV SANAYİ VE TİCARET A.Ş.

HEADQUARTERS Oruç Reis Mah. Tem Otayolu Atış Alanı Mevkii Tekstilkent Caddesi No: 12 Koza Plaza A Blok 4.Kat 34235 Esenler / İSTANBUL / TÜRKİYE T. +(90 212) 438 04 30 F. +(90 212) 438 04 35

FACTORY Kemalpaşa Caddesi No: 288 Pınarbaşı 35060 Bornova / İZMİR / TÜRKİYE T. +(90 232) 477 18 00 F. +(90 232) 477 18 77 (78-79)

REGIONAL DIRECTORATE Beştepe Mahallesi Dumlupınar Bulvarı No: 34 A Blok (Armada İş Merkezi) 6/1 Kat: 20 Yenimahalle / ANKARA / TÜRKİYE T. +(90 312) 285 91 25-26-27 F. +(90 312) 285 91 28